

# C - Line

## Technical Data



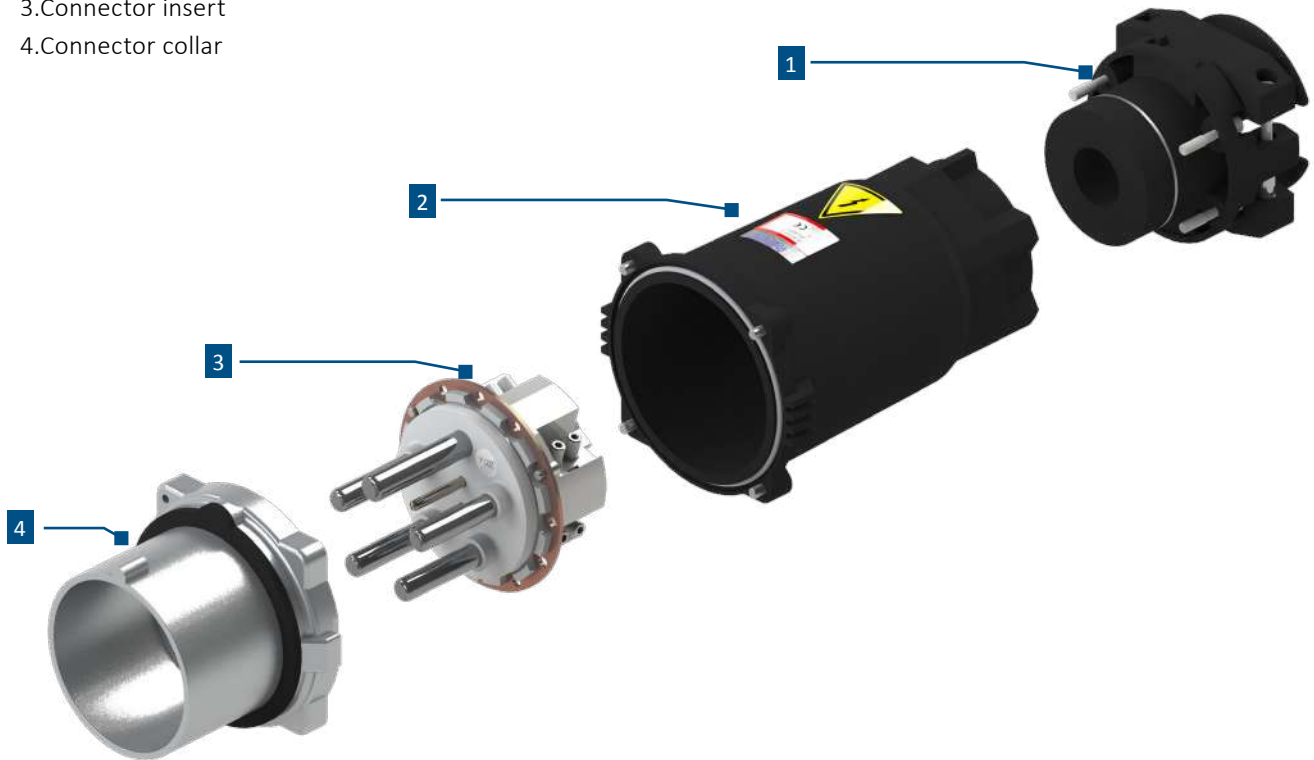
Technical Data	Unit	C - Line	
Nominal current	A	200	250
Rated current	A	250	285
Rated voltage	V	1.000	
Rated frequency	Hz	50 / 60	
Withstand voltage (1 Min / 50 Hz)	V	4.000	
Protection grade		IP 67	
Shock resistance		IK 10	
Ambient temperature	°C	- 40 / + 100	
Insulation resistance (Phase-phase and phase-earth)	MOhm	> 500	
Comparative tracking index of the insert	CTI	> 600	
Terminal cross-section (EN 60228 Class 5)	mm <sup>2</sup>	35 - 150	
Max. cross section pilot cable, conductor (EN60228 Class 5)	mm <sup>2</sup>	4	
Diameter of cable	mm	34 - 66	
Diameter of cable - separate pilot cable	mm	5 - 10	

Technical modifications reserved

# Structure

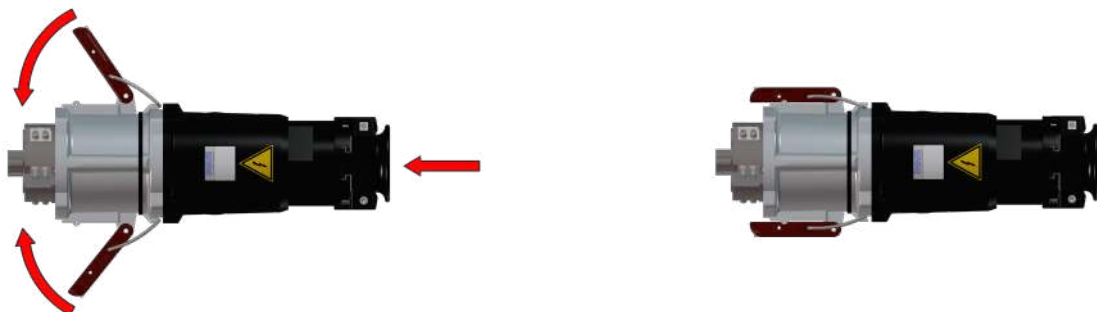
## Structure of C-Line connector

- 1.Cable gland
- 2.Plastic housing
- 3.Connector insert
- 4.Connector collar



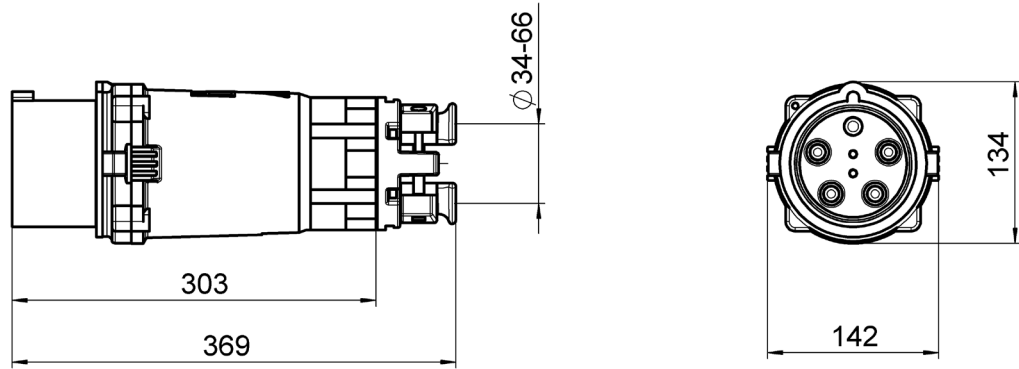
## Locking system

Mechanically easy designed locking system, which reduces the force required during plugging and pulling.

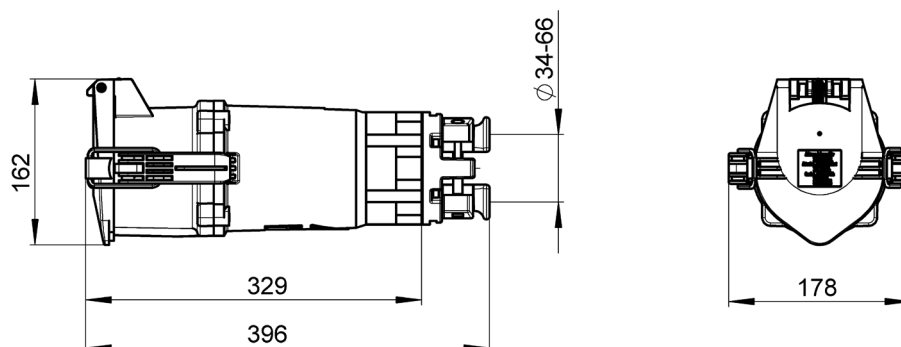


# MC

Plug



Current	Number of Poles	Voltage	Type designation	Article No.
200 A	4 (3L+PEN)	230V	MC-S4/200 230V-9h	11430
		400V	MC-S4/200 400V-6h	11431
		500V	MC-S4/200 500V-7h	11432
		690V	MC-S4/200 690V-5h	11433
		1000V	MC-S4/200 1000V-1h	11434
	5 (3L+N+PE)	230V	MC-S5/200 230V-9h	11435
		400V	MC-S5/200 400V-6h	11436
		500V	MC-S5/200 500V-7h	11437
		690V	MC-S5/200 690V-5h	11438
		1000V	MC-S5/200 1000V-1h	11439
250 A	4 (3L+PEN)	230V	MC-S4/250 230V-9h	22080
		400V	MC-S4/250 400V-6h	22081
		500V	MC-S4/250 500V-7h	22082
		690V	MC-S4/250 690V-5h	22083
		1000V	MC-S4/250 1000V-1h	22084
	5 (3L+N+PE)	230V	MC-S5/250 230V-9h	22085
		400V	MC-S5/250 400V-6h	22086
		500V	MC-S5/250 500V-7h	22087
		690V	MC-S5/250 690V-5h	22088
		1000V	MC-S5/250 1000V-1h	22089

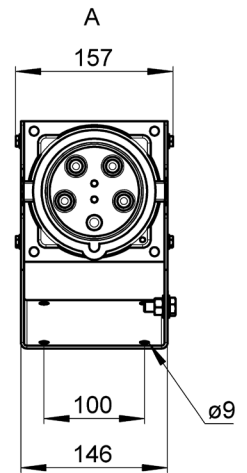
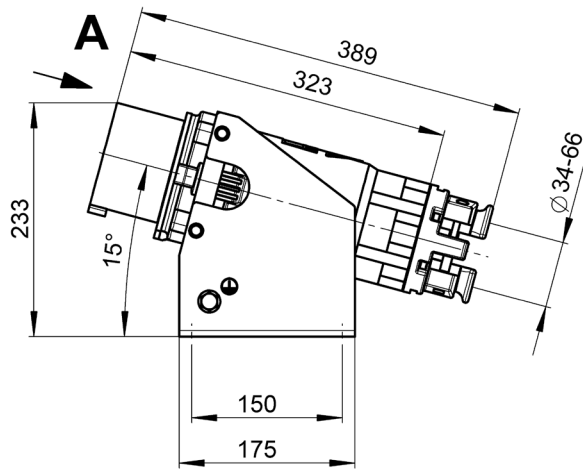
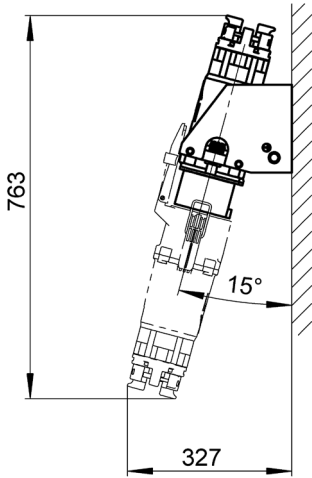


Current	Number of Poles	Voltage	Type designation	Article No.
200 A	4 (3L+PEN)	230V	FC-S4/200 230V-9h	11640
		400V	FC-S4/200 400V-6h	11641
		500V	FC-S4/200 500V-7h	11642
		690V	FC-S4/200 690V-5h	11643
		1000V	FC-S4/200 1000V-1h	11644
	5 (3L+N+PE)	230V	FC-S5/200 230V-9h	11645
		400V	FC-S5/200 400V-6h	11646
		500V	FC-S5/200 500V-7h	11647
		690V	FC-S5/200 690V-5h	11648
		1000V	FC-S5/200 1000V-1h	11649
250 A	4 (3L+PEN)	230V	FC-S4/250 230V-9h	22120
		400V	FC-S4/250 400V-6h	22121
		500V	FC-S4/250 500V-7h	22122
		690V	FC-S4/250 690V-5h	22123
		1000V	FC-S4/250 1000V-1h	22124
	5 (3L+N+PE)	230V	FC-S5/250 230V-9h	22125
		400V	FC-S5/250 400V-6h	22126
		500V	FC-S5/250 500V-7h	22127
		690V	FC-S5/250 690V-5h	22128
		1000V	FC-S5/250 1000V-1h	22129

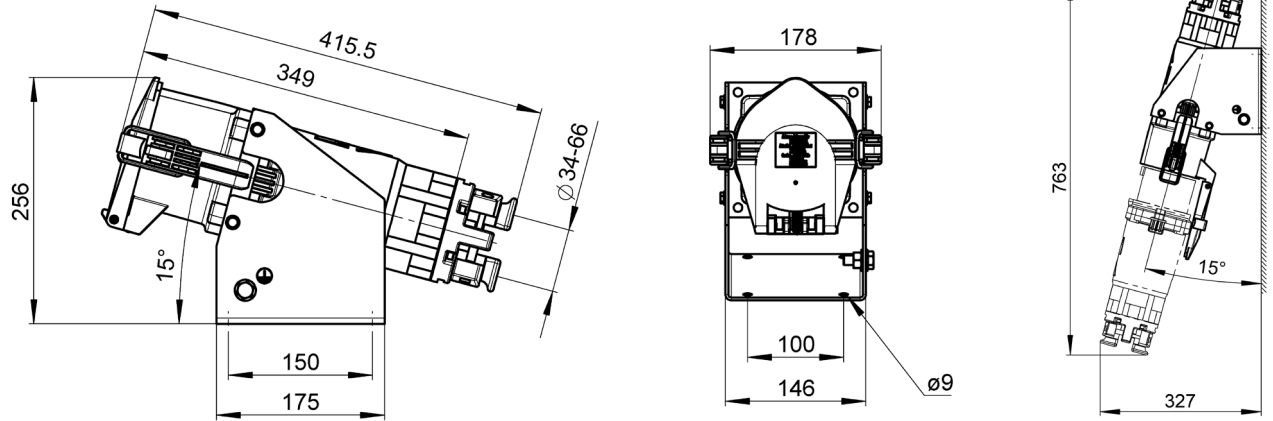


# MCW

## Wall Mounted Inlet



Current	Number of Poles	Voltage	Type designation	Article No.
200 A	4 (3L+PEN)	230V	MCW-S4/200 230V-9h	11700
		400V	MCW-S4/200 400V-6h	11701
		500V	MCW-S4/200 500V-7h	11702
		690V	MCW-S4/200 690V-5h	11703
		1000V	MCW-S4/200 1000V-1h	11704
	5 (3L+N+PE)	230V	MCW-S5/200 230V-9h	11705
		400V	MCW-S5/200 400V-6h	11706
		500V	MCW-S5/200 500V-7h	11707
		690V	MCW-S5/200 690V-5h	11708
		1000V	MCW-S5/200 1000V-1h	11709
250 A	4 (3L+PEN)	230V	MCW-S4/250 230V-9h	22110
		400V	MCW-S4/250 400V-6h	22111
		500V	MCW-S4/250 500V-7h	22112
		690V	MCW-S4/250 690V-5h	22113
		1000V	MCW-S4/250 1000V-1h	22114
	5 (3L+N+PE)	230V	MCW-S5/250 230V-9h	22115
		400V	MCW-S5/250 400V-6h	22116
		500V	MCW-S5/250 500V-7h	22117
		690V	MCW-S5/250 690V-5h	22118
		1000V	MCW-S5/250 1000V-1h	22119

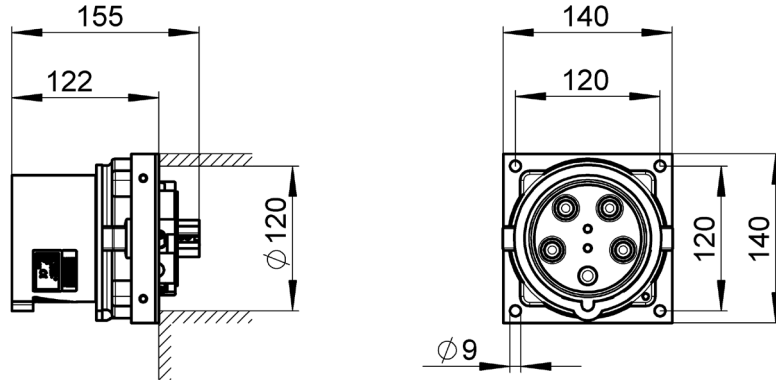


Current	Number of Poles	Voltage	Type designation	Article No.
200 A	4 (3L+PEN)	230V	FCW-S4/200 230V-9h	11670
		400V	FCW-S4/200 400V-6h	11671
		500V	FCW-S4/200 500V-7h	11672
		690V	FCW-S4/200 690V-5h	11673
		1000V	FCW-S4/200 1000V-1h	11674
	5 (3L+N+PE)	230V	FCW-S5/200 230V-9h	11675
		400V	FCW-S5/200 400V-6h	11676
		500V	FCW-S5/200 500V-7h	11677
		690V	FCW-S5/200 690V-5h	11678
		1000V	FCW-S5/200 1000V-1h	11679
250 A	4 (3L+PEN)	230V	FCW-S4/250 230V-9h	22150
		400V	FCW-S4/250 400V-6h	22151
		500V	FCW-S4/250 500V-7h	22152
		690V	FCW-S4/250 690V-5h	22153
		1000V	FCW-S4/250 1000V-1h	22154
	5 (3L+N+PE)	230V	FCW-S5/250 230V-9h	22155
		400V	FCW-S5/250 400V-6h	22156
		500V	FCW-S5/250 500V-7h	22157
		690V	FCW-S5/250 690V-5h	22158
		1000V	FCW-S5/250 1000V-1h	22159

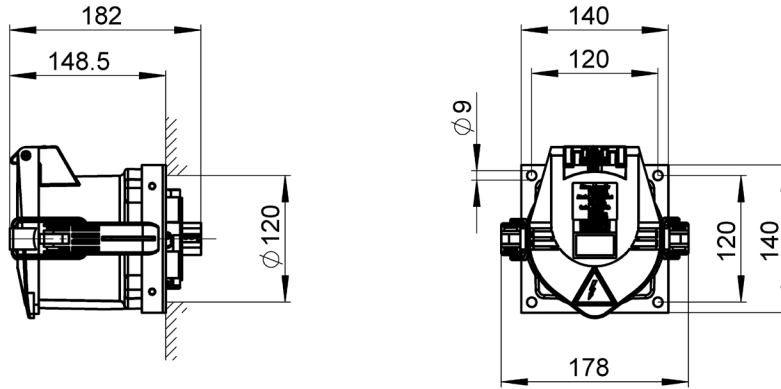


# MCP

Panel Mounted Inlet



Current	Number of Poles	Voltage	Type designation	Article No.
200 A	4 (3L+PEN)	230V	MCP-S4/200 230V-9h	11730
		400V	MCP-S4/200 400V-6h	11731
		500V	MCP-S4/200 500V-7h	11732
		690V	MCP-S4/200 690V-5h	11733
		1000V	MCP-S4/200 1000V-1h	11734
	5 (3L+N+PE)	230V	MCP-S5/200 230V-9h	11735
		400V	MCP-S5/200 400V-6h	11736
		500V	MCP-S5/200 500V-7h	11737
		690V	MCP-S5/200 690V-5h	11738
		1000V	MCP-S5/200 1000V-1h	11739
250 A	4 (3L+PEN)	230V	MCP-S4/250 230V-9h	22090
		400V	MCP-S4/250 400V-6h	22091
		500V	MCP-S4/250 500V-7h	22092
		690V	MCP-S4/250 690V-5h	22093
		1000V	MCP-S4/250 1000V-1h	22094
	5 (3L+N+PE)	230V	MCP-S5/250 230V-9h	22095
		400V	MCP-S5/250 400V-6h	22096
		500V	MCP-S5/250 500V-7h	22097
		690V	MCP-S5/250 690V-5h	22098
		1000V	MCP-S5/250 1000V-1h	22099

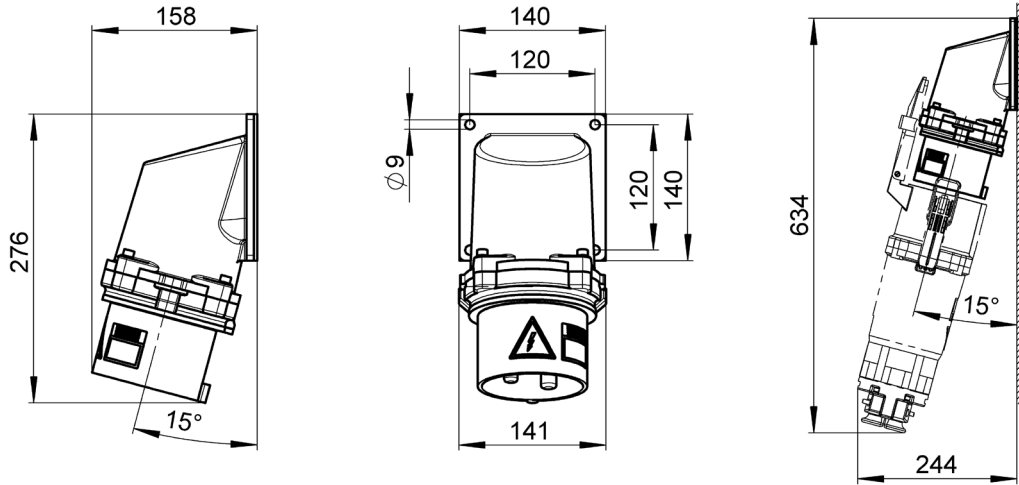


Current	Number of Poles	Voltage	Type designation	Article No.
200 A	4 (3L+PEN)	230V	FCP-S4/200 230V-9h	11760
		400V	FCP-S4/200 400V-6h	11761
		500V	FCP-S4/200 500V-7h	11762
		690V	FCP-S4/200 690V-5h	11763
		1000V	FCP-S4/200 1000V-1h	11764
	5 (3L+N+PE)	230V	FCP-S5/200 230V-9h	11765
		400V	FCP-S5/200 400V-6h	11766
		500V	FCP-S5/200 500V-7h	11767
		690V	FCP-S5/200 690V-5h	11768
		1000V	FCP-S5/200 1000V-1h	11769
250 A	4 (3L+PEN)	230V	FCP-S4/250 230V-9h	22130
		400V	FCP-S4/250 400V-6h	22131
		500V	FCP-S4/250 500V-7h	22132
		690V	FCP-S4/250 690V-5h	22133
		1000V	FCP-S4/250 1000V-1h	22134
	5 (3L+N+PE)	230V	FCP-S5/250 230V-9h	22135
		400V	FCP-S5/250 400V-6h	22136
		500V	FCP-S5/250 500V-7h	22137
		690V	FCP-S5/250 690V-5h	22138
		1000V	FCP-S5/250 1000V-1h	22139

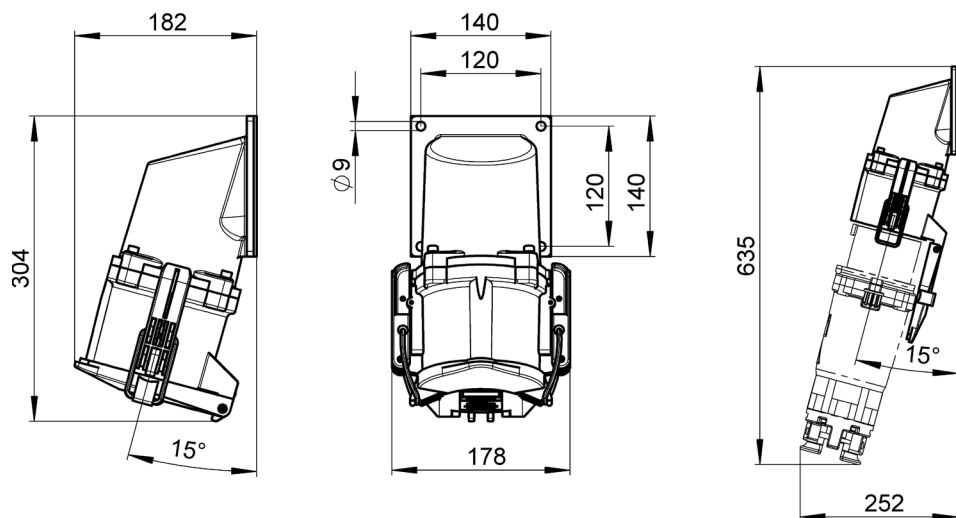


# MCPA

Panel Mounted Inlet Angled



Current	Number of Poles	Voltage	Type designation	Article No.
200 A	4 (3L+PEN)	230V	MCPA-S4/200 230V-9h	20578
		400V	MCPA-S4/200 400V-6h	20579
		500V	MCPA-S4/200 500V-7h	20580
		690V	MCPA-S4/200 690V-5h	20581
		1000V	MCPA-S4/200 1000V-1h	20582
	5 (3L+N+PE)	230V	MCPA-S5/200 230V-9h	20583
		400V	MCPA-S5/200 400V-6h	20584
		500V	MCPA-S5/200 500V-7h	20585
		690V	MCPA-S5/200 690V-5h	20586
		1000V	MCPA-S5/200 1000V-1h	20587
250 A	4 (3L+PEN)	230V	MCPA-S4/250 230V-9h	22100
		400V	MCPA-S4/250 400V-6h	22101
		500V	MCPA-S4/250 500V-7h	22102
		690V	MCPA-S4/250 690V-5h	22103
		1000V	MCPA-S4/250 1000V-1h	22104
	5 (3L+N+PE)	230V	MCPA-S5/250 230V-9h	22105
		400V	MCPA-S5/250 400V-6h	22106
		500V	MCPA-S5/250 500V-7h	22107
		690V	MCPA-S5/250 690V-5h	22108
		1000V	MCPA-S5/250 1000V-1h	22109



Current	Number of Poles	Voltage	Type designation	Article No.
200 A	4 (3L+PEN)	230V	FCPA-S4/200 230V-9h	20608
		400V	FCPA-S4/200 400V-6h	20609
		500V	FCPA-S4/200 500V-7h	20610
		690V	FCPA-S4/200 690V-5h	20611
		1000V	FCPA-S4/200 1000V-1h	20612
	5 (3L+N+PE)	230V	FCPA-S5/200 230V-9h	20613
		400V	FCPA-S5/200 400V-6h	20614
		500V	FCPA-S5/200 500V-7h	20615
		690V	FCPA-S5/200 690V-5h	20616
		1000V	FCPA-S5/200 1000V-1h	20617
250 A	4 (3L+PEN)	230V	FCPA-S4/250 230V-9h	22140
		400V	FCPA-S4/250 400V-6h	22141
		500V	FCPA-S4/250 500V-7h	22142
		690V	FCPA-S4/250 690V-5h	22143
		1000V	FCPA-S4/250 1000V-1h	22144
	5 (3L+N+PE)	230V	FCPA-S5/250 230V-9h	22145
		400V	FCPA-S5/250 400V-6h	22146
		500V	FCPA-S5/250 500V-7h	22147
		690V	FCPA-S5/250 690V-5h	22148
		1000V	FCPA-S5/250 1000V-1h	22149



# Options

## Accessories for every requirement



### Seawater resistant connector

For port applications, an option often requested by the customer. The seawater-resistant design prevents oxidation on the housing.

Seawater resistant connectors upon request.



### Vibration resistant connectors

On request there are vibration resistant connectors available. This option is frequently asked for railway applications.



### Accessories:

- Protective cover aluminium (article number: 12122)
- Protective cover plastic (article number: 26263)
- Screwed cable gland for separate pilot cable (article number 13642)
- Padlock (article number: 14349)

# General information

## Plastic housing C-Line

The C-Line connectors have a special plastic housing.

This housing has special properties for applications and is resistant to many chemicals (see table).

- High thermal stability
- Very good insulating properties
- High dielectric strength
- Resistance to many different chemicals
- Compliant with RoHS Directive 2011/65 / EU
- High impact strength and resistance

## Plastic housing characteristics

Chemicals	Resistant	Not resistant
Acetic acid	X	
Citric acid solution	X	
Lactic acid	X	
Hydrochloric acid		X
Nitric acid		X
Sulfuric acid		X
Chromic Acid Solution		X
Sodium hydroxide solution	X	
Isopropanol	X	
Methanol	X	
Ethanol	X	
Hydrogen peroxide		X

Chemicals	Resistant	Not resistant
N-hexane	X	
Toluene	X	
Iso-octane	X	
Acetone	X	
Diethyl ether	X	
SAE10W40 Multi-range oil	X	
Diesel oil	X	
Sodium hypochlorite solution		X
Zinc chloride solution		X
Ethyl acetate	X	
Ethylene glycol		X
Water	X	

## Weight and packaging-information

Article		Weight (kg)	Packaging Bulk outside (mm)
Plug MC	4-polig	2.7	405 x 190 x 185
	5-polig	2.9	405 x 190 x 185
Panel Mounted Inlet MCP	4-polig	2.2	286 x 204 x 140
	5-polig	2.4	286 x 204 x 140
Panel Mounted Inlet Angled MCPA	4-polig	4.2	462 x 240 x 242
	5-polig	4.4	462 x 240 x 242
Wall Mounted Inlet MCW	4-polig	3.6	360 x 240 x 200
	5-polig	3.8	360 x 240 x 200
Coupling FC	4-polig	3.4	405 x 190 x 185
	5-polig	3.6	405 x 190 x 185
Panel Mounted Receptacle FCP	4-polig	3.2	405 x 190 x 185
	5-polig	3.5	405 x 190 x 185
Panel Mounted Receptacle Angled FCPA	4-polig	4.4	462 x 240 x 242
	5-polig	4.6	462 x 240 x 242
Wall Mounted Receptacle FCW	4-polig	4.3	360 x 240 x 200
	5-polig	4.5	360 x 240 x 200